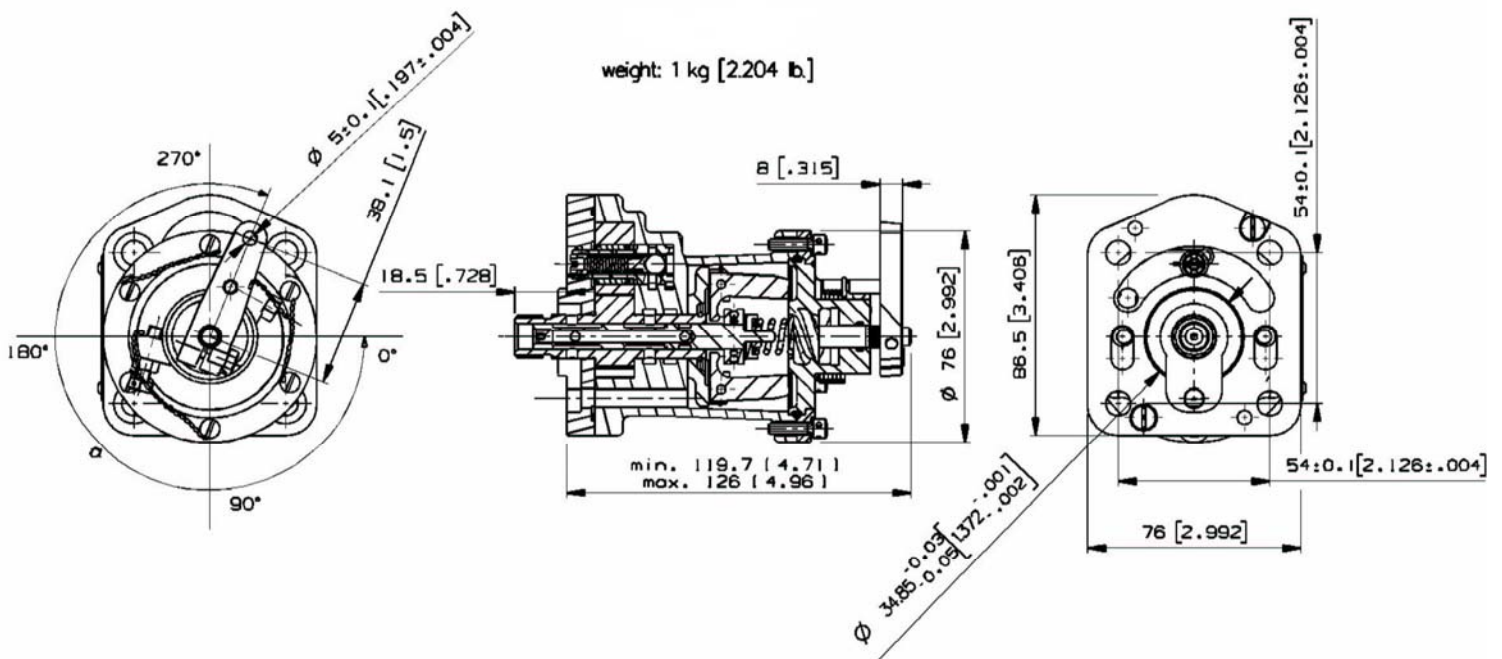


PCU5000-X Specification Sheet

Customer Name	Day Phone	E-Mail
Kit Manufacturer	Governor Drive Ratio Rotation (facing base)	866:1 LYC Rear Mt 947:1 LYC Wide Deck 895:1 LYC Narrow Deck 1:1 Continental All
Kit Model	Control Lever Angle (Specify)	0° to 360° (See Sketch) _____
Engine Manufacturer	Control Lever Rotation (Facing the Head)	<input type="checkbox"/> Clockwise (AL) <input type="checkbox"/> Counter-Clockwise (A)
Engine Model	Pressure to Increase P-520-	<input type="checkbox"/> Yes For Non-Counterweighted Props
Prop Manufacturer	Pressure to Decrease P-540-	<input type="checkbox"/> Yes For Counterweighted Props
Prop Model	Take-Off RPM (Specify)	_____



Note: Operating lever as shown is set at 290° for counter-clockwise rotation
Dimensions shown are Metric and [U.S. Standard].

Aero Technologies, LLC
595 Telser Road
Lake Zurich, IL 60047

Phone: 847-541-1133

Fax 847-541-0176